

Technical Data Sheet

CODE 11930

NICOTRA Gebhardt AT 7/7

Centrifugal Fans AT belt driven

NICOTRA | Gebhardt



Nicotra Gebhardt S.p.A. (Italy)
Nicotra Gebhardt GmbH (Germany)

TECHNICAL AND PERFORMANCE DATA

Permissible Nominal Motor Power	kW	3
Permissible Fan Speed	rpm	2600
Permissible Bearing Load	N	350
Permissible Media Temperature	°C	-20/+85
Maximum Delivery Airflow	m ³ /h	2300
Maximum Delivery Pressure	Pa	1070
Fan Weight	kg	5

İletişim Bilgileri:

Adres: İkitelli OSB Marmara Sanayi Sitesi C Blok Sk.C blok No:4 P.K :34307 Küçükçekmece / İstanbul

Telefon : (+90) 212 901 00 77

Email: info@avensair.com satis@avensair.com

Technical Data Sheet

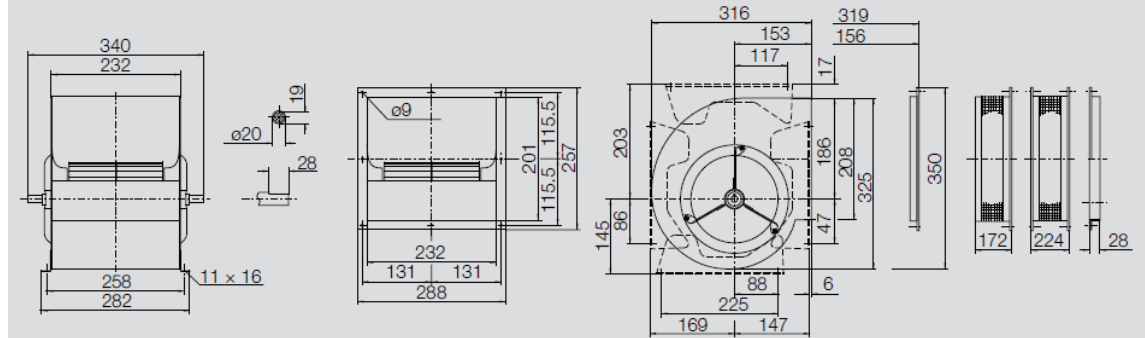
CODE 11930

NICOTRA Gebhardt AT 7/7

Centrifugal Fans AT belt driven



Dimensions in mm, subject to change.
AT S-7/7 5 kg

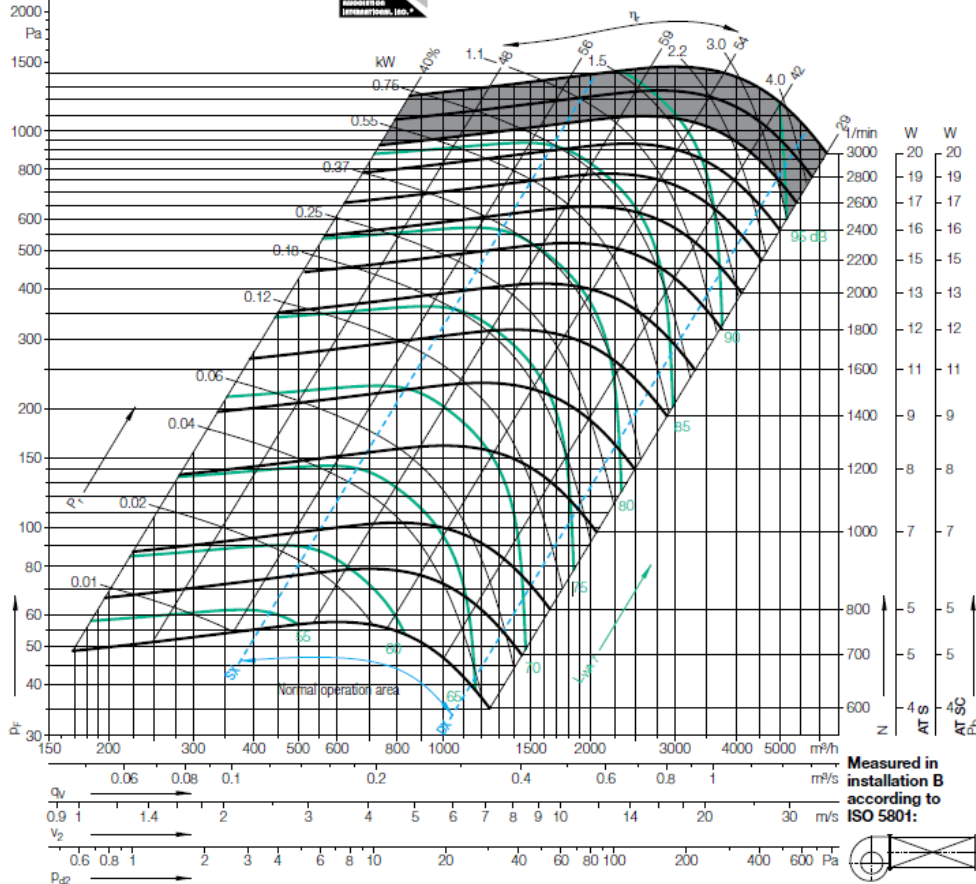


Performance Curves

Please note coloured area!
 all types suitable
 do not use in this area



Nicotra Gebhardt S.p.A certifies that the fan shown herein is licensed to bear the AMCA Seal. The ratings shown are based on tests and procedures performed in accordance with AMCA Publication 211 and comply with the requirements of the AMCA Certified Ratings Program. The AMCA Certified Ratings Seal applies to air performance ratings only.



İletişim Bilgileri:

Adres: İkitelli OSB Marmara Sanayi Sitesi C Blok Sk.C blok No:4 P.K :34307 Küçükçekmece / İstanbul

Telefon : (+90) 212 901 00 77

Email: info@avensair.com satis@avensair.com